



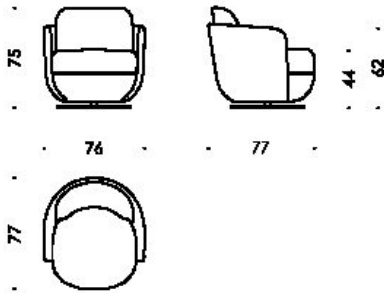
MILES SOFA

DESIGN: Sebastian Herkner

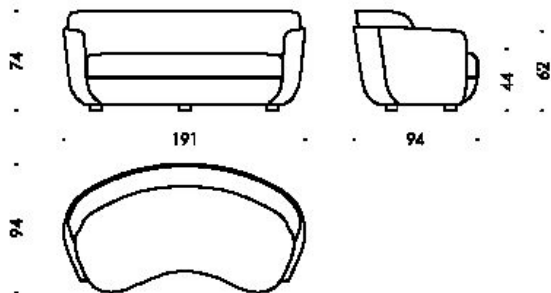
Soft, round, inviting, protective. Many attributes can be ascribed to the chairs, armchairs, sofas and tables in the Miles series. They add refinement to homes, hotel lounge areas, meeting corners in offices and reception areas in stores to prove the ultimate in aesthetics, comfort and finish. Long gone are the days when formal sofa arrangements dominated living spaces. Today the sofa has become a highly private piece of furniture, almost exclusively reserved for its owners as a place to relax, recharge their batteries and enjoy each other's company. An inherently stable armrest envelops the back rest, creating a visual – and literal – support and security. All of which is new and different, and highly alluring. Miles ahead, in a manner of speaking.

MILES Design: Sebastian Herkner

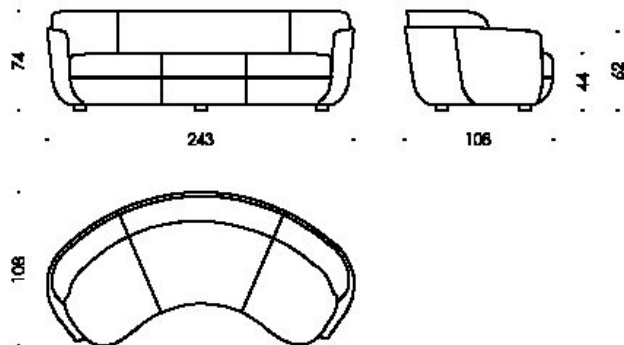
29512



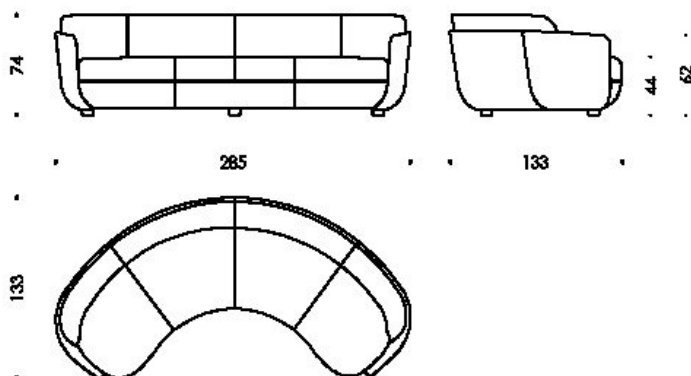
29520



29525



29530



	29512	29520	29525	29530
Sitzbreite in cm:	65	172	218	257
seat width in cm:	65	172	218	257
Sitzbreite in inches:	25,59	67,72	85,83	101,18
seat width in inches:	25,59	67,72	85,83	101,18
Sitztiefe in cm:	57	57	57	57
seating depth in cm:	57	57	57	57
Sitztiefe in inches:	22,44	22,44	22,44	22,44
seating depth in inches:	22,44	22,44	22,44	22,44
width in inches:	30,71x29,18x32,28x16,83	75,20x29,18x37,00x16,93	95,66x29,13x42,52x16,93	112,20x29,13x52,35x22,44

Technische Beschreibung:

Gestell:	Metal- Holzkonstruktion
FüÙe Lounge Fauteuil:	DrehfuÙer, schwarz pulverbeschichtet
FüÙe Twoeater:	Kunststoff schwarz
Polsterung:	Federkern, Polymousse Sandwichaufbau, Vliesabdeckung
Sitz:	Polymousse Sandwichaufbau, Vliesabdeckung
Lehne:	Polymousse Sandwichaufbau, Vliesabdeckung
Armlehne:	High Resilience Polyurethan Schaumstoff, Vliesabdeckung
Bezug:	Fußbezug mit Keder
Keder:	Standard: wie Bezugematerial Auf Wunsch: Color cognac, Color mocha, Color black Aufpreis: Leder (nach Wahl)

technical description:

frame:	combined wooden and metal construction
legs Lounge Fauteuil:	revolving base black powder coated
legs Twoeater:	black plastic
upholstery:	
seat:	coil springs, polyurethane foams sandwich layered, dacron overlay
backrest:	polyurethane foams sandwich layered, dacron overlay
armrest:	High Resilience Polyurethan foam, dacron overlay
covers:	fixed covers with piping
piping:	standard: same as fabric on request: Color cognac, Color mocha, Color black surcharge: leather (at one's own option)

Falten sind design-verarbeitungs-, material-, bzw. benützungbedingt und stellen keinen Reklamationsgrund dar.
Creases may occur due to design, treatment, quality of material and conditions of use and are no cause for claims.